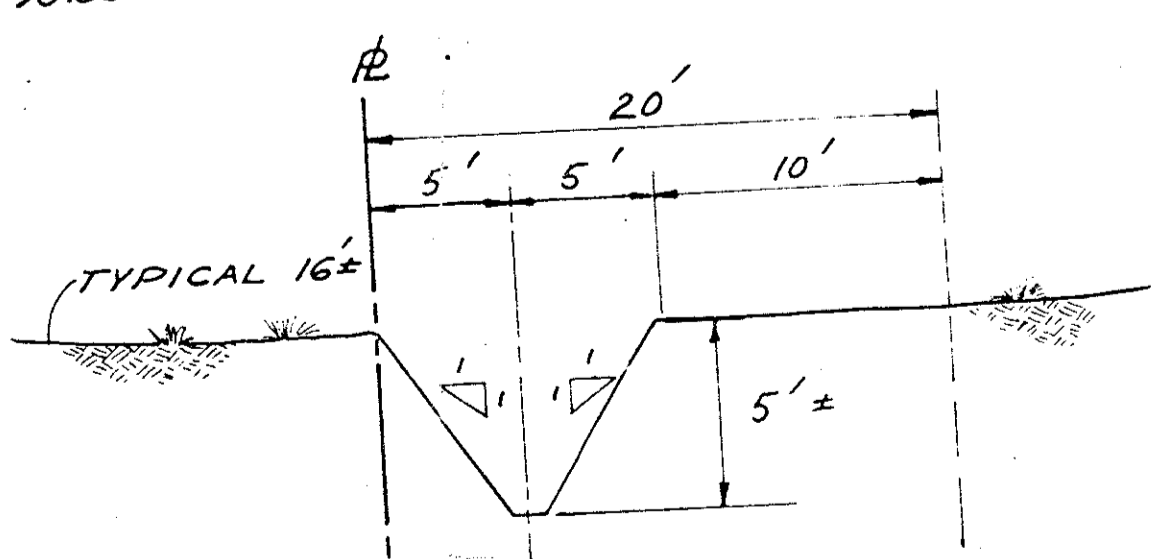
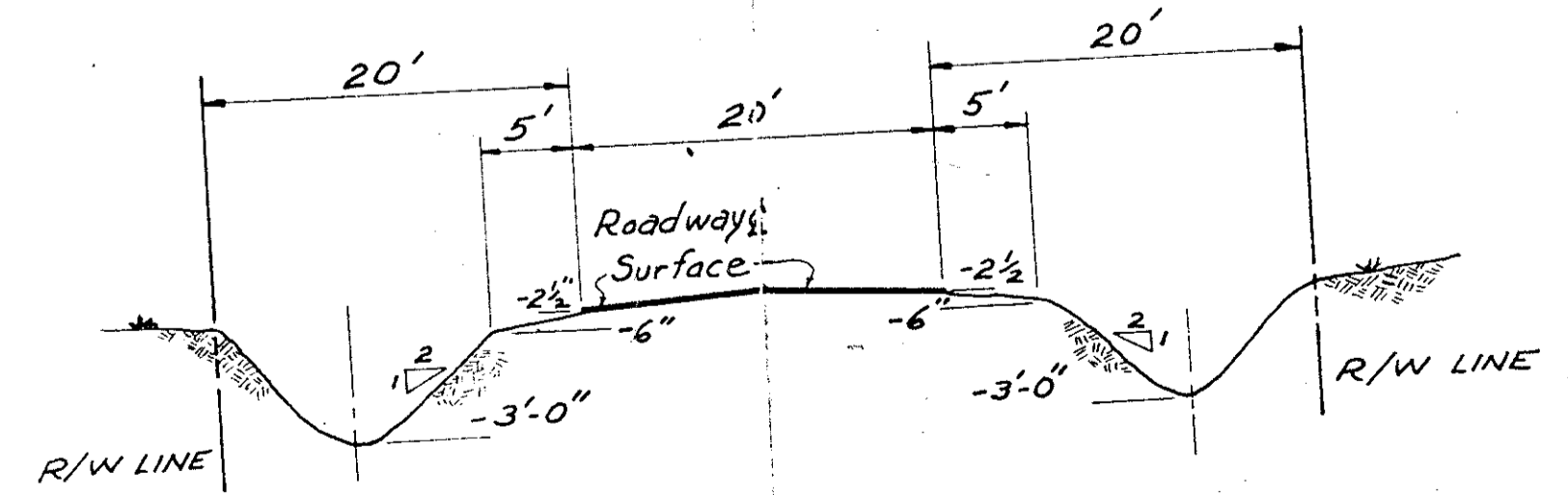


Const. 42" BC-CMP w/Riser per S.I.R.D.D. Drainage District Specs. Inv. Elev. 135'

Const. 42" BC-CMP w/Riser per S.I.R.D.D. Drainage District Specs. Invert Elev. 135'



**TYPICAL SECTION**  
 GRADE TO DRAIN AS SHOWN ON PLAN  
 SCALE: N.T.S.  
 NOTE: Construct Swale in 10' Easement, Grade to Drain.



**TYPICAL ROAD SECTION**  
 SCALE: N.T.S.

SEE 200' SCALE

**PLAN**  
 Scale: 1" = 100'

**3000-177**

Note: Easement Widths Not to Scale.

Note: Drainage Profiles Accompany this Plan - located in Roll File

DATE		BY		REVISION		FIELD: J-74/24-26	DATE: OCT. 30, 1972	Scale: SHOWN	Plat Book:	Page:
3-16-73 C.A.R. DRAIN DIRECTION, CMPA SIZES, TYP SECTION						DRAWN BY: W.E.B.		SADDLE HORN		
2-21-73 C.A.R. DRAINAGE ELEV. & TYP ROAD SECTION						CHECKED BY: L.E.L.		LINDAHL - O'BRIEN, INC.		
DATE						JOB NO. 72-847		ENGINEERS - SURVEYORS		
REVISION						SEAL		P.O. Box 727 • Jupiter, Florida 33458		
								SHEET 2 OF 2		